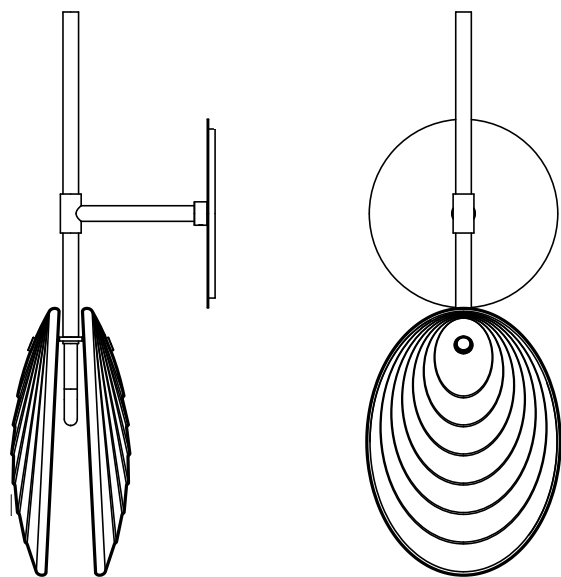


mussels

Design by
Václav Mlynář



bomma

bomma.cz

TECHNICAL SHEET
FOR WALL LIGHT FIXTURES

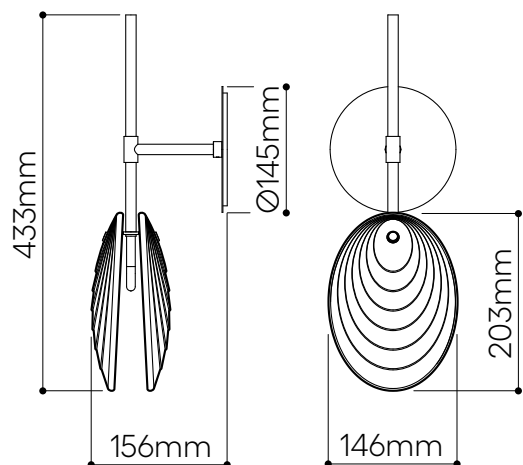
MUSSELS wall

Design by
Václav Mlynář

Handmade glass attributes

The Mussels Collection is made by our in-house developed, pressed glass technology. Any small bubbles, non-melts and irregularities in the glass are both proof and a characteristic feature of this unique glassmaking process.

The glass parts of Mussels are hand-painted, so the intensity of color may vary slightly.



LIGHTING DESCRIPTION

Size	146 × 156 × 433 mm 5,75 × 6,14 × 17,05 inch
Weight	+/- 2,5 kg / 5,5 lb
Glass	lead-free crystal in clear, alabaster, smoke and dark pearl
Mounting	brushed gold = brushed brass
Recommended junction box	EU - A.UK1-SH (72mm dia, 60mm min. depth) UL/The Americas - electrical box, Octagon, 4 X 4 inch (1,4 inch min. depth)
Protection	IP 20
Nominal voltage	220-240V / A.C. 50 hz (EU) 110-120 V / A.C. 60 Hz (USA)
Class	II. EU / I. USA

LIGHT SOURCE

Type	G4, 1,2W LED, 100 lm
Base	G4 (EU) / G4 (USA)
Voltage	12VDC, 100mA
Temperature	2700 K
Color index	RA 90+
Dimming	EU/Other versions - non-dimmable UL/The Americas - TRIAC, ELV

TRANSFORMER

Primary circuit	100-240V, 50/60 Hz
Secondary circuit	12VDC, +/-0,5A, 5W

PACKAGING

Material	Cardboard
Size	220 × 220 × 250 mm 8,6 × 8,6 × 9,8 inch

Origin: traditionally produced in the Czech Republic
Intellectual property license holder: Bomma Czech Republic (EU)
Represented by BMRC group s.r.o.

CERTIFICATES

